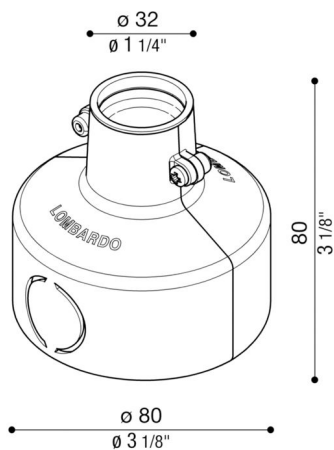


# Thermoplastic recess box CNC/INC

**Lombardo.**

**35**

LB1070001



## Generality

Producer:	Lombardo S.r.l.
Code:	LB1070001
Pieces per package:	1

## Characteristic

Associated products:	CNC 35 T, CNC 35 Q, CNC 35 Top S, CNC 35 Top L, CNC 35 Mask, CNC 35 T Up, CNC 35 Q Up, INC 35, CNC 35 2.0 T, CNC 35 2.0 Q, CNC 35 2.0 Q Full Resin, CNC 35 2.0 T Full Resin
----------------------	---

Standards and Marks of Conformity:



## Product description:

Thermoplastic recess box.