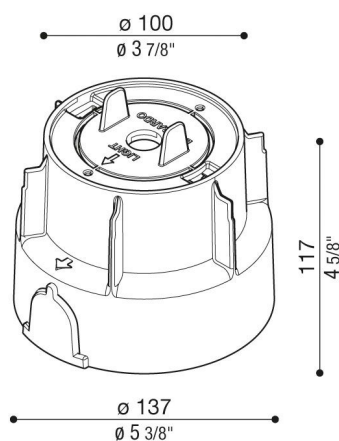


Thermoplastic recess box CNC100

Lombardo.

LB1230001



Generality

Producer:	Lombardo S.r.l.
Code:	LB1230001
Pieces per package:	1

Characteristic

Associated products:	CNC 99 CL, CNC 99 C2L, CNC 99 C4L, CNC 99 C180, CNC 99 C Up, CNC 100 2L, CNC 100 Up, CNC 100 L, CNC 99 QL, CNC 99 Q2L, CNC 99 Q4L
----------------------	-----------------------------------------------------------------------------------------------------------------------------------

Standards and Marks of Conformity:



Product description:

Thermoplastic recess box.