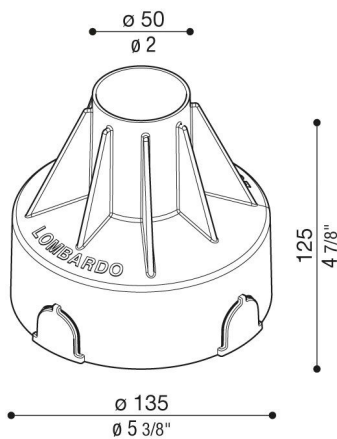


Recess box CNC/INC 50

LB1070039

Lombardo.



Generality

Producer: Lombardo S.r.l.
Code: LB1070039
Pieces per package: 1

Characteristic

Associated products: CNC 50 2.0 T, CNC 50 2.0 T Full Resin, Tegolo, Tegolo U&D, INC 50, CNC 50 Swing, CNC 50 T Up, CNC 50 T, CNC 50 Top L, CNC 50 Top 2L, CNC 50 Swing Spot

Standards and Marks of Conformity:



Product description:

Thermoplastic recess box.