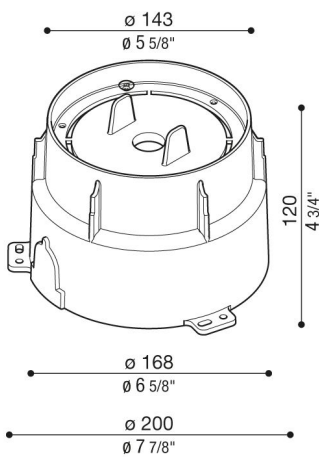
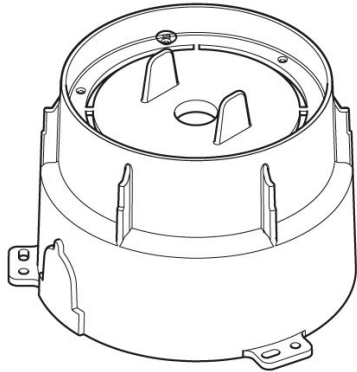


# Recess box CNC 150

LB1360001

**Lombardo.**



## Generality

Producer:	Lombardo S.r.l.
Design:	Design by Lombardo design department
Code:	LB1360001
Pieces per package:	1

## Characteristic

Associated products:	CNC 150
----------------------	---------

Standards and Marks of Conformity:	CE UK ER
------------------------------------	-------------

## Product description:

Thermoplastic recess box.