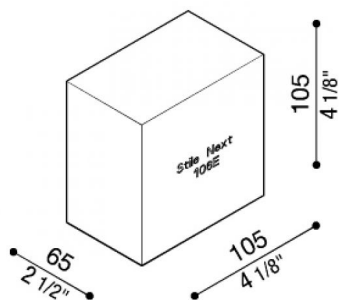


# Polystyrene mould Stile Next 106E

**Lombardo.**

LB11572



## Generality

Producer:	Lombardo S.r.l.
Code:	LB11572
Pieces per package:	1

## Characteristic

Associated products:	Stile Next 106E
----------------------	-----------------

Standards and Marks of Conformity:	CE UK EA
------------------------------------	-------------

## Product description:

Polystyrene mould.