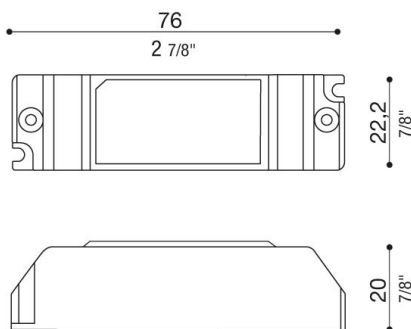




Technical information:

Brand	EAGLERISE
Reference number	LS-6-700-MB
IP	20
Power output	6,3W
Nominal DC output voltage (under load)	2-9V
Nominal output current	700mA
Input voltage range	220-240V
Frequency	50/60Hz
Power factor (λ)	0,5
Circuit breaker	90 -100 - 100 - 100
Specifications	On-Off

Dimension



LED Controlgear Constant Current

Series connection



Warning!!!

Before connecting the ballast to the mains, ensure that the LEDs on the secondary are connected. Otherwise the lamp may not switch on.

