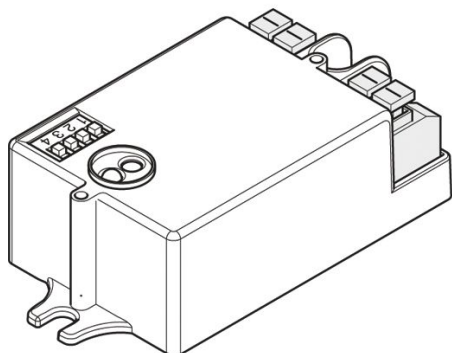


Day and Night sensor

LB11297

Lombardo.



Generality

Producer: Lombardo S.r.l.
Code: LB11297
Pieces per package: 1

Standards and Marks of
Conformity:

CE UK
EA

