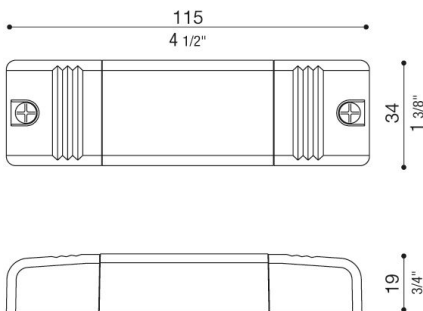




### Technical information:

Brand	TCI
Reference number	127711
IP	20
Power output	12W
Nominal DC output voltage (under load)	2V...24V
Nominal output current	500 mA cost
Input voltage range	220-240V
Frequency	50-60 Hz
Power factor ( $\lambda$ )	0,85

### Dimension



### LED Controlgear Constant Current

Series connection



### Warning!!!

Before connecting the ballast to the mains, ensure that the LEDs on the secondary are connected. Otherwise the lamp may not switch on.

