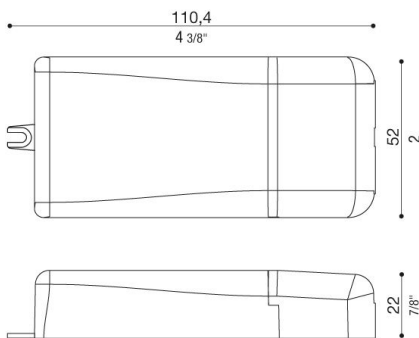




Technical information:

Brand	TCI
Reference number	122201 350mA
IP	20
Power output	19W
Nominal DC output voltage (under load)	2-54V
Nominal output current	350mA
Input voltage range	220-240V
Frequency	50/60Hz
Power factor (λ)	0,97
Circuit breaker B10 - C10 - B16 - C16	31-52-50-85
Specifications	On-Off

Dimension



LED Controlgear Constant Current

Series connection



Warning!!!

Before connecting the ballast to the mains, ensure that the LEDs on the secondary are connected. Otherwise the lamp may not switch on.

