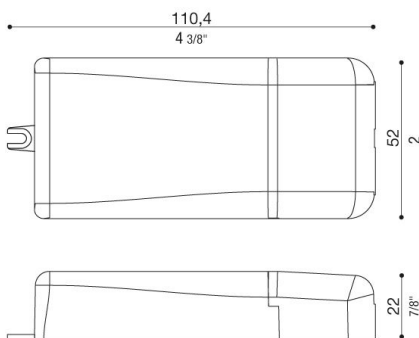




Technical information:

| | |
|---|--------------------|
| Brand | TCI |
| Reference number | 123400 |
| IP | 20 |
| Power output | 20W |
| Nominal DC output voltage (under load) | 2-40V |
| Nominal output current | 700mA |
| Input voltage range | 220-240V |
| Frequency | 50/60Hz |
| Power factor (λ) | 0,95 |
| Circuit breaker B10 - C10 - B16 - C16 | 31-52-50-85 |
| Specifications | 1-10 Push Settable |

Dimension



LED Controlgear Constant Current

Series connection



Warning!!!

Before connecting the ballast to the mains, ensure that the LEDs on the secondary are connected. Otherwise the lamp may not switch on.

