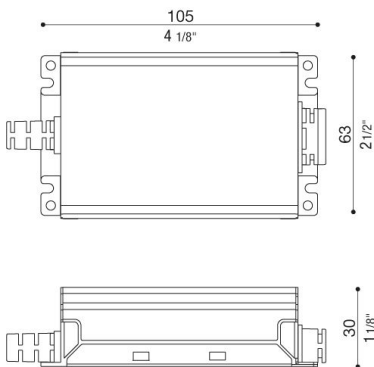




### Technical information:

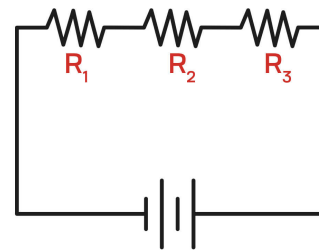
Brand	MEANWELL
Reference number	XLG-25
IP	67
Power output	25W
Nominal DC output voltage (under load)	22-54V
Nominal output current	500mA
Input voltage range	90-305V
Frequency	47/63Hz
Power factor ( $\lambda$ )	0,95
Circuit breaker	3 - 5 - 5 - 8
Specifications	On-Off

### Dimension



### LED Controlgear Constant Current

Series connection



### Warning!!!

Before connecting the ballast to the mains, ensure that the LEDs on the secondary are connected. Otherwise the lamp may not switch on.

