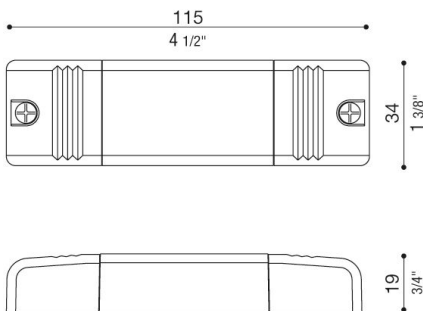




Technical information:

Brand	TCI
Reference number	127711
IP	20
Power output	12W
Nominal DC output voltage (under load)	2V...24V
Nominal output current	500 mA cost
Input voltage range	220-240V
Frequency	50-60 Hz
Power factor (λ)	0,85

Dimension



LED Controlgear Constant Current

Series connection



Warning!!!

Before connecting the ballast to the mains, ensure that the LEDs on the secondary are connected. Otherwise the lamp may not switch on.

