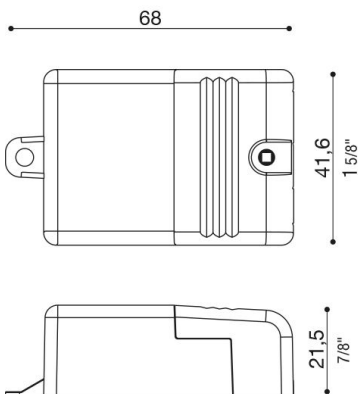




### Technical information:

Brand	TCI
Reference number	141131
IP	20
Power output	6W
Nominal DC output voltage (under load)	12-12.6V
Nominal output current	500mA
Input voltage range	176-275Vac
Frequency	50-60Hz
Power factor ( $\lambda$ )	0.8C
Circuit breaker B10 - C10 - B16 - C16	31-52-50-85
Specifications	on-off

### Dimension



### LED Controlgear Constant Current

Series connection



### Warning!!!

Before connecting the ballast to the mains, ensure that the LEDs on the secondary are connected. Otherwise the lamp may not switch on.

