

# Box in aluminium 506E

LB1161G

**Lombardo.**



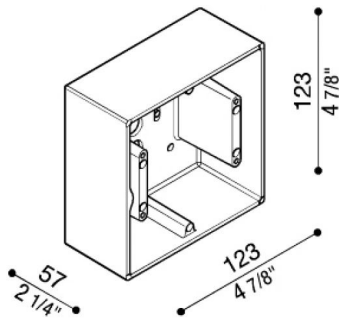
## Generality

Producer:	Lombardo S.r.l.
Code:	LB1161G
Pieces per package:	4

## Characteristic

Associated products:	Stile Next 506E
----------------------	-----------------

Standards and Marks of Conformity:	CE UK EA
------------------------------------	-------------



## Product description:

Box for surface wall mounting (not recessed).  
Body made of EN-AB44100 die-cast aluminium primary alloy; highly resistant to oxidization thanks to the zirconium-based passivation treatment and UV stabilized polyester resin coating.