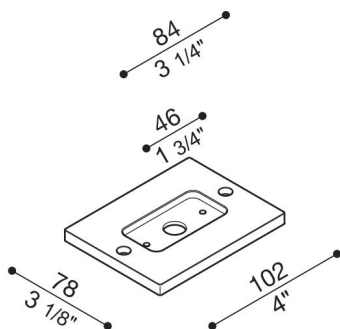


# Adapter for fitting Tag 110 on the standard recess box 503.

**Lombardo.**

LB1150005



## Generality

Producer:	Lombardo S.r.l.
Design:	Design by Giancarlo Alci
Code:	LB1150005
Pieces per package:	1

## Characteristic

Associated products:	Tag 210 Power, Tag 110, Tag 110 White
----------------------	---------------------------------------

Standards and Marks of Conformity:	CE UK EAC
------------------------------------	--------------

## Product description:

Adapter for fitting Tag 110 on the standard recess box 503. Body made of die-cast aluminium; highly resistant to oxidization thanks to the zirconium based passivation process and the coating with UV-stabilised polyester resins. A4 stainless steel nuts and bolts.