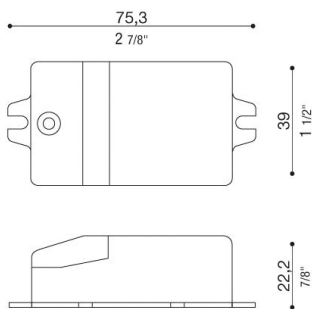




Technical information:

Brand	ALVIT
Reference number	1024
IP	20
Power output	10W
Nominal DC output voltage (under load)	24V
Nominal output current	410mA
Input voltage range	220-240V
Frequency	50/60Hz
Power factor (λ)	0,6
Circuit breaker	32 - 50 - 64 - 100
Specifications	On-Off

Dimension



LED Controlgear Constant Tension

Parallel connection



Warning!!!

Before connecting the ballast to the mains, ensure that the LEDs on the secondary are connected. Otherwise the lamp may not switch on.

