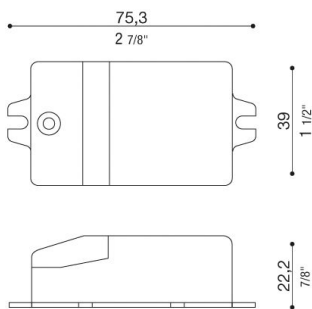




### Technical information:

Brand	ALVIT
Reference number	1024
IP	20
Power output	10W
Nominal DC output voltage (under load)	24V
Nominal output current	410mA
Input voltage range	220-240V
Frequency	50/60Hz
Power factor ( $\lambda$ )	0,6
Circuit breaker	32 - 50 - 64 - 100
Specifications	On-Off

### Dimension



### LED Controlgear Constant Tension

Parallel connection



### Warning!!!

Before connecting the ballast to the mains, ensure that the LEDs on the secondary are connected. Otherwise the lamp may not switch on.

